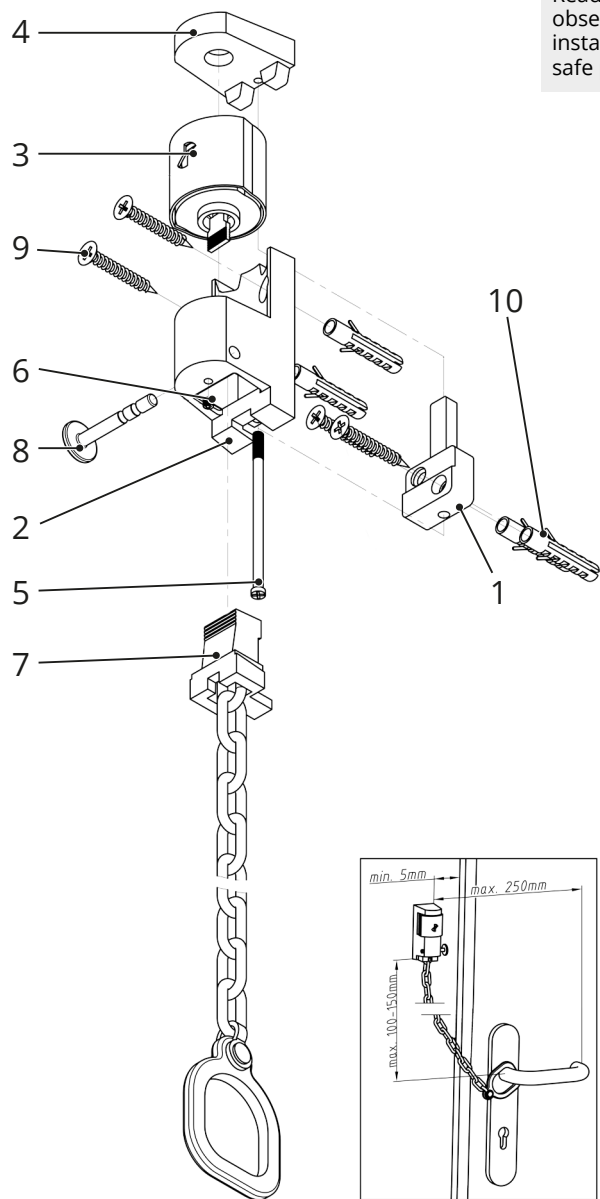




Read the assembly manual thoroughly and observe the information contained during installation. Keep the assembly manual in a safe place for future reference.



General View

- | | |
|----|------------------------------|
| 1 | Assembly base |
| 2 | Lock housing |
| 3 | Cylinder housing |
| 4 | Housing cover |
| 5 | Screw M3x75 mm |
| 6 | Grub screw |
| 7 | Door chain with locking bolt |
| 8 | Holding pin |
| 9 | Screws 5x35 mm |
| 10 | Dowel |

Tools Required

- Cross-tip screwdriver
- 6 mm drill bit
- Marker, scriber

Scope of Delivery

Check the package supplied is complete:

- Door chain
- Assembly material

i Observe the assembly dimensions specified.

Intended Use

The door chain increases property security when residents are inside the respective building or room.

The door chain is intended for apartment and house entrance doors made of wood, steel, aluminium and composite materials. In the case of plastic and compound materials, a metallic profile must be available at the assembly positions or a metallic plate underlaid on the other side.

Any other use is considered unintended use. Unauthorised modifications or reconstructions not described in the manual are not permitted and could cause the product to be damaged.

Safety Instructions



WARNING! Risk of suffocation! Children can swallow small parts, packaging and protective foils. Keep the product and packaging out of reach of children!

IMPORTANT! Improper assembly can lead to property damage. Install the door chain as described in this assembly manual. Only use the assembly material supplied.

IMPORTANT! DO NOT use spray oils or anything similar. Clean the door chain occasionally with a dry cloth. The mechanism inside is already greased at the factory. During assembly, pay attention that no wood chippings or similar bits get into the lock or cylinder housing.

Installation

- 1 Disassemble the lock unit of the door chain holder, which consists of the assembly base (1), lock housing (2), cylinder housing (3) and housing cover (4), by removing the screw (5).
- 2 Choose the assembly position for the lock unit. Hold the assembly base (1) at the required position to mark the two drill holes. Then drill the two holes using a 6 mm drill, insert the dowels (10) and fix the assembly base (1) with two screws (9).
- 3 Fit the lock housing (2) on the base (1) to mark the two drill holes. Drill the holes, insert the dowels (10) and fix the lock housing (2) in place with 2 screws (9).
- 4 Insert the cylinder housing (3) and fit the housing cover (4). Screw the lock housing and housing cover together using the screw (5).
- 5 Insert the holding pin (8) in the lock housing so that the head of the pin points towards the door. Move the holding pin (8) to its locking position and fix in place with the grub screw (6).
- 6 Engage the door chain in the lock housing by means of the locking bolt (7).
- 7 Lay the door chain retaining ring over the holding pin (8).

Guarantee

The period of guarantee is 24 months. The period of guarantee begins on the date of purchase. It is essential to keep the purchase receipt and original packaging. If a problem occurs, please visit our Return Merchandise Authorization (RMA) in the Support section of our web site at www.olympia-vertrieb.de

In the case of further queries, please contact our hotline 0180 5 007514 (costs via German landline at time of going to print: 14 ct/min., max. 42 ct/min. via a mobile network).

Olympia Business Systems Vertriebs GmbH
Zum Kraftwerk 1 - 45527 Hattingen

Disposal



Help protect the environment and dispose of the product and packaging materials according to the applicable local regulations.

Further Information

Further information on this product is available at <http://productip.com/?f=84fc1> / <http://productip.com/?f=84ff1>

Or scan this QR code.

